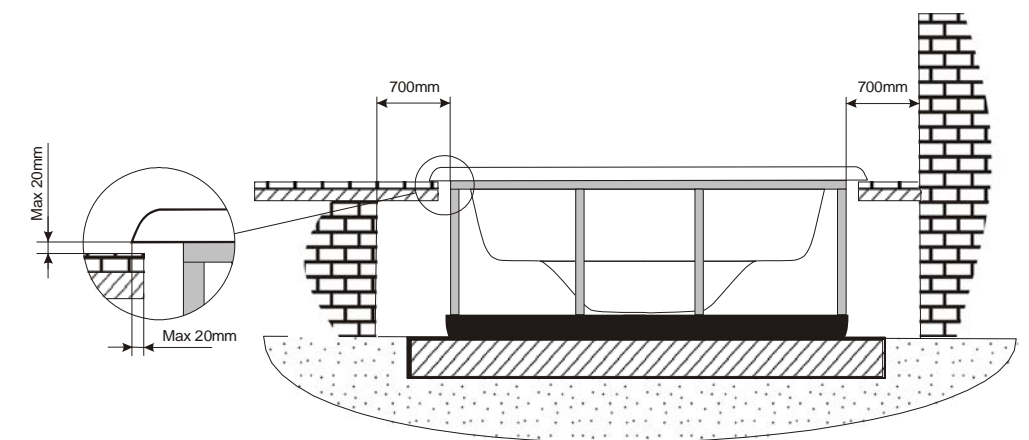
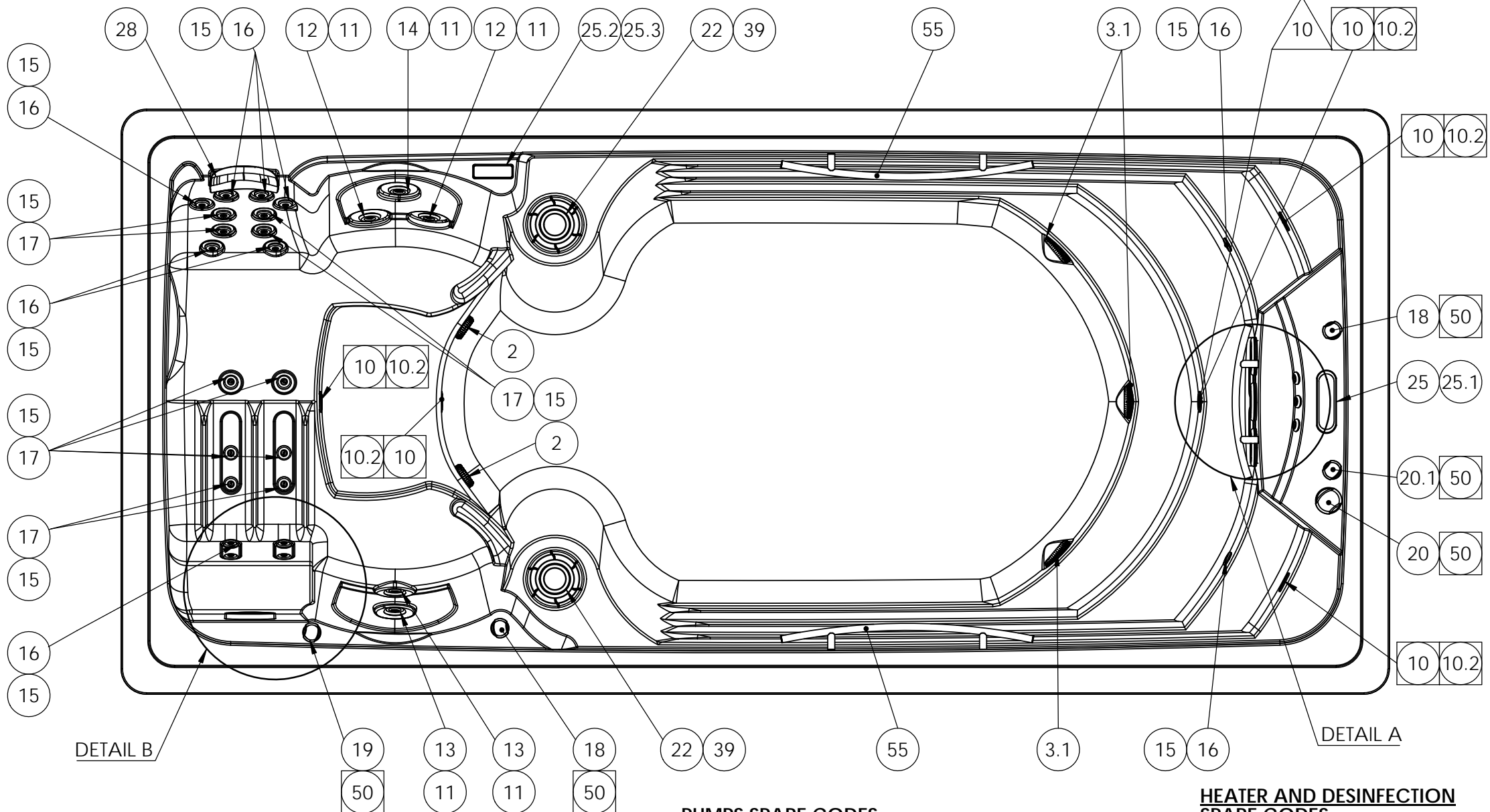


WARNING:
It's essential to keep a minimum clearance access of **700mm** all around.



According to our policy of continuous improvement, dimensions, features or components of this product can be partially or completely changed without prior notice.
It's Customer responsibility to verify that this is the last version of the drawing

00	12/06/2015	I.Pozo	Creation			
Change No.	Date	Name	Modification			
Remarks				COMMERCIAL		
Dimensions in mm. General Tolerances +/- 10mm						
Drawn	12/06/2015	I.Pozo			Part Number 64414	Rev. 00
Checked	12/06/2015	V.Saiz				
Scale 1:25	General Tolerance DIN 7168 ISO 2768g					
Sheet 1/2						



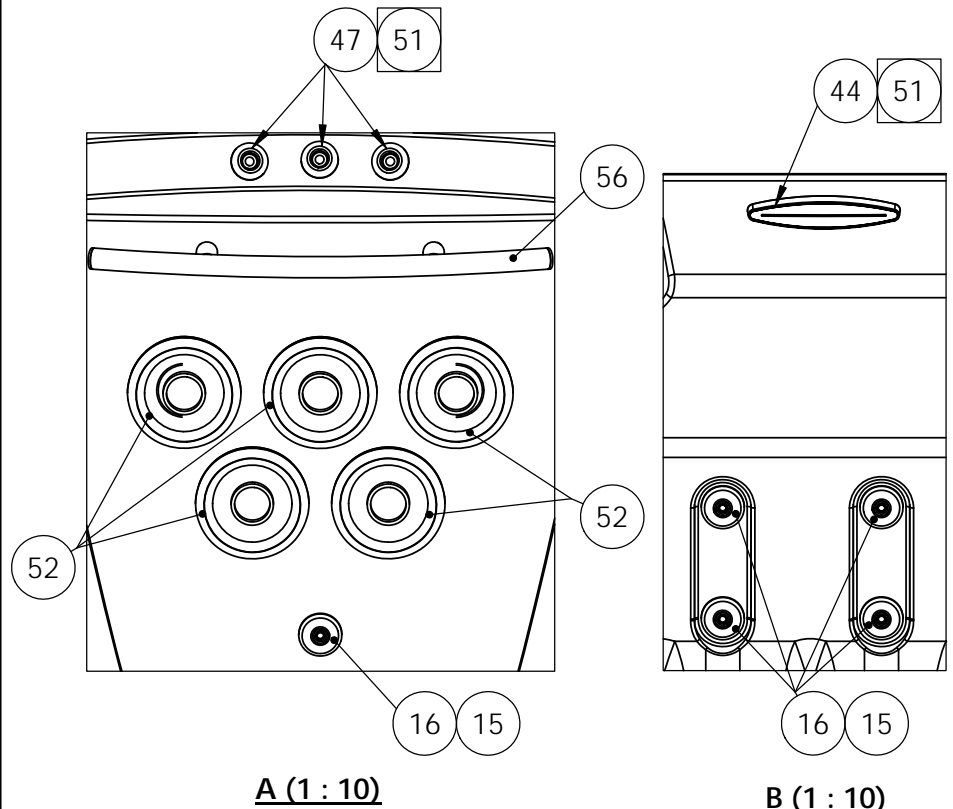
ACCESSORIES			
Position Num.	Part Nº SPARE	Description SPARE	Quant.
2	RPOR0225	GREY SPA DRAIN 2" ADAPTOR SOCKET D.50	2
3.1	RPOR0166	SUPER HI-FLO SUCTION 2" GREY	3
10	RCOM0063	HIGH INTENSITY COLOURS LED SPOTLIGHTS + STEEL ESCUTCHEON SPOTLIGHT	1
10	RPOR0239	SPOTLIGHT LED SET RD	5
10.2	RPOR0252	LED SLAVE LIGHT	5
11	RPOR0236	JET BODY SET RD 3"	5
12	RPOR0231	FRONTAL JET 3" STAINLESS STEEL DIRECTIONAL	2
13	RPOR0232	FRONTAL JET 3" STAINLESS STEEL 1 JET ROTO	2
14	RPOR0233	FRONTAL JET 3" STAINLESS STEEL TWIN ROTO	1
15	RPOR0235	JET BODY SET RD 2"	23
16	RPOR0230	FRONTAL JET 2" STAINLESS STEEL DIRECTIONAL	13
17	RPOR0260	JET TWIN ROTO 2" INOX	10
18	RPOR0261	VENTURY CONTROLLER SS	2
19	RPOR0263	VALVE ON-OFF 1" SS	1
20	RPOR0262	3 WAYS SS VALVE 2"	1
20.1	RPOR0286	3 WAYS VALVE 1" SS	1
22	RPOR0174	SKIMMER SWIMSPA	2
25	RPOR0196	DIGITAL PANEL VL700+COVER 2 PUMP + BLOWER	1
25.1	RPOR0290	DIGITAL PANEL VL700+COVER 3 PUMPS	1
25.2	RPOR0219	AUXILIARY PANEL VL700	1
25.3	RPOR0291	AUXILIARY PANEL VL700 (3 PUMPS)	1
28	RPOR0032	SMALL HEADREST GREY	1
39	RPOR0175	SWIMSPA CARTDRIGE FILTER	2
44	RPOR0278	SS 7" WATERFALL	1
47	RPOR0165	FOUNTAIN	3
50	RPOR0267	4 LEDS LIGHTS POINTS	5
51	RPOR0268	1 LED LIGHT POINT	5
52	RPOR0282	SWIM JET STAINLESS STEEL	5
55	RPOR0198	SPECIAL HANDGRIP SPA 1000	2
56	RPOR0250	SPECIAL HANDGRIP SPA 600	1
70	RPOR0280	LEDS TRANSFORMER 5V DC	1
71	RPOR0281	LEDS CONTROLER	1

DETAIL B

DETAIL A

PUMPS SPARE CODES

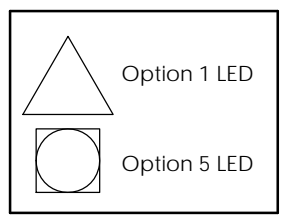
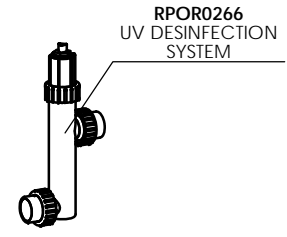
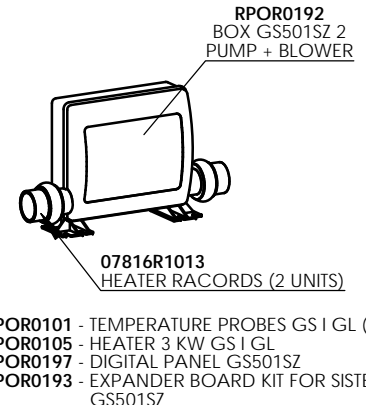
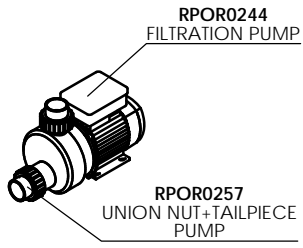
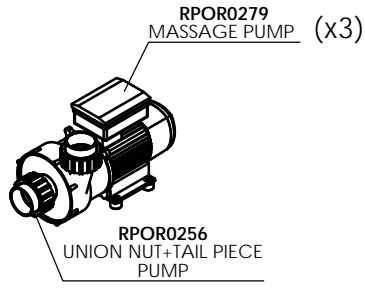
HEATER AND DESINFECTION SPARE CODES



A (1 : 10)

B (1 : 10)

LIGHT COMPONENTS SPARE CODES



According to our policy of continuous improvement, dimensions, features or components of this product can be partially or completely changed without prior notice. It's Customer responsibility to verify that this is the last version of the drawing

00	12/06/2015	I.Pozo	Creation								
Change No.	Date	Name	Modification								
Remarks											
Dimensions in mm. General Tolerances +/- 10mm											
Drawn	12/06/2015	I.Pozo									
Checked	12/06/2015	V.Saiz									
Scale 1:20	General Tolerance DIN 7168 ISO 2768g										
Sheet 2/2			<table border="1"> <tr> <td colspan="2">SPARE PARTS DRAWING</td> </tr> <tr> <td>Part Number</td> <td>Rev.</td> </tr> <tr> <td>64414</td> <td>00</td> </tr> <tr> <td colspan="2">First Angle Projection</td> </tr> </table>	SPARE PARTS DRAWING		Part Number	Rev.	64414	00	First Angle Projection	
SPARE PARTS DRAWING											
Part Number	Rev.										
64414	00										
First Angle Projection											