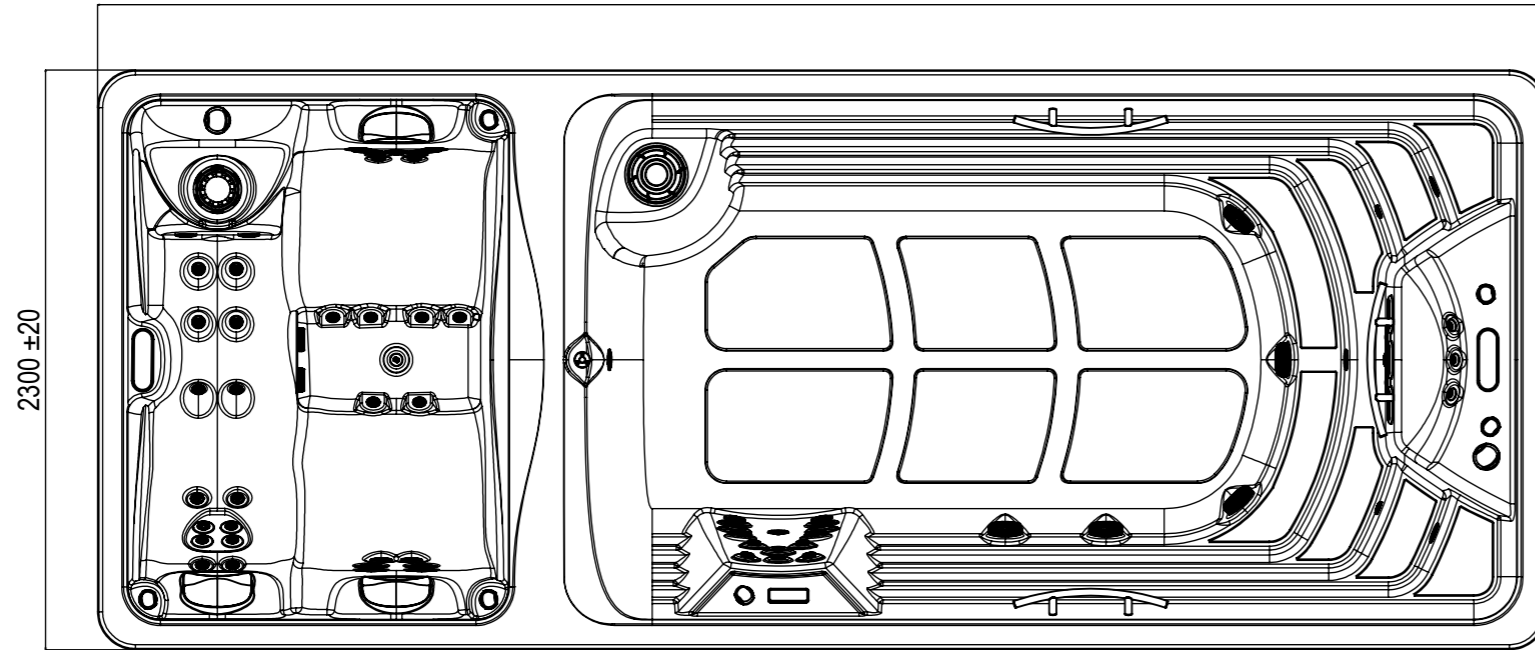
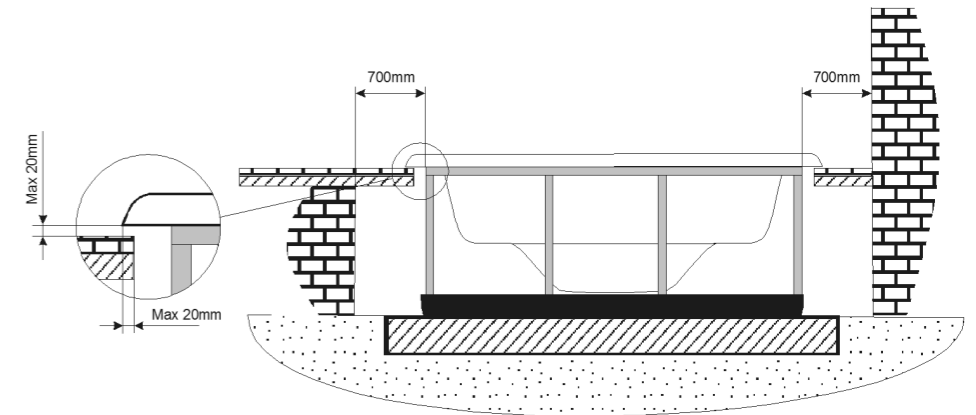
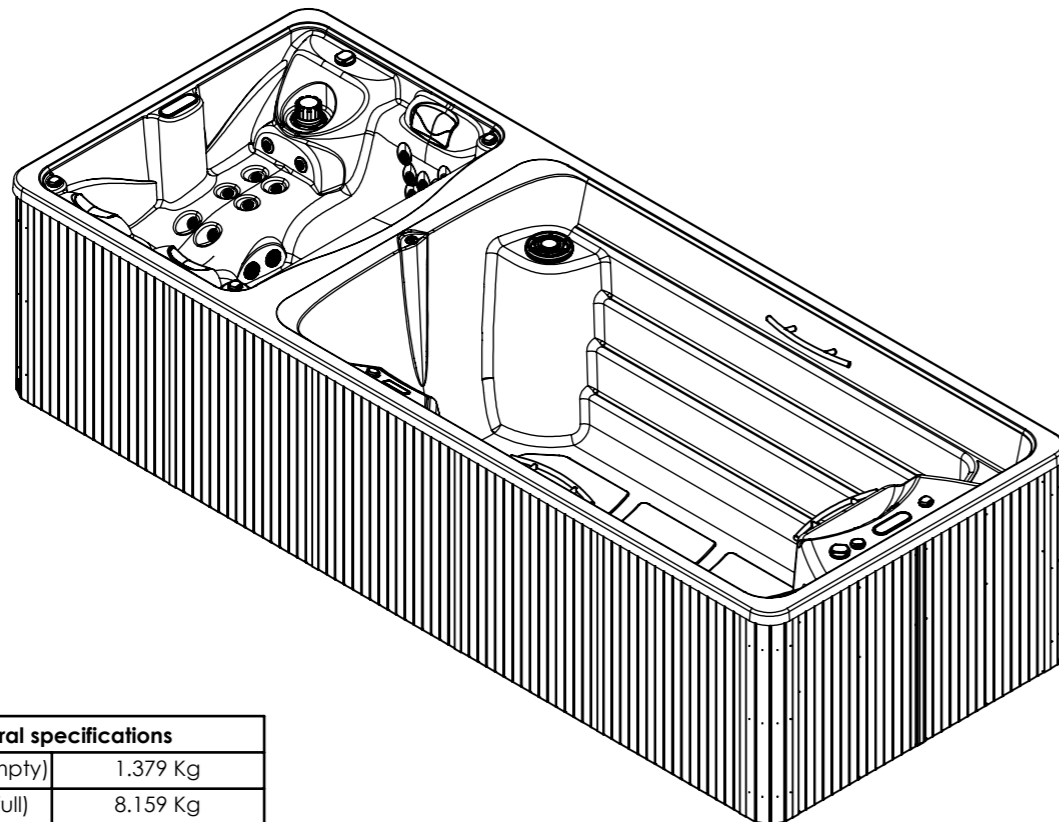


5750 ±20



ELECTRICAL BOARD CONNECTIONS ACCESS

WARNING:
It's essential to keep a minimum clearance access of 700mm all around.



According to our policy of continuous improvement, dimensions, features or components of this product can be partially or completely changed without prior notice.
It's Customer responsibility to verify that this is the last version of the drawing

General specifications	
Spa weight (empty)	1.379 Kg
Spa weight (full)	8.159 Kg

04	03/12/2018	D.Castillo	Spa weight added.
03	29/10/2018	A. Miquel	Control panels and covers spare codes added.
02	03/10/2018	A. Miquel	Jets (CMP) changed.
01	07/05/2017	A. Miquel	Corrections
00	23/11/2017	A. Miquel	Creation
Change No.	Date	Name	Modification

Remarks Dimensions in mm. General Tolerances +/- 10mm			COMMERCIAL			
Drawn	23/11/2017	A. Miquel		Part Number 69126-AV	Rev. 04	First Angle Projection
Checked	23/11/2017	V. Saiz				
Scale 1:30 Sheet 1/2	General Tolerance DIN 7168 ISO 2768g					