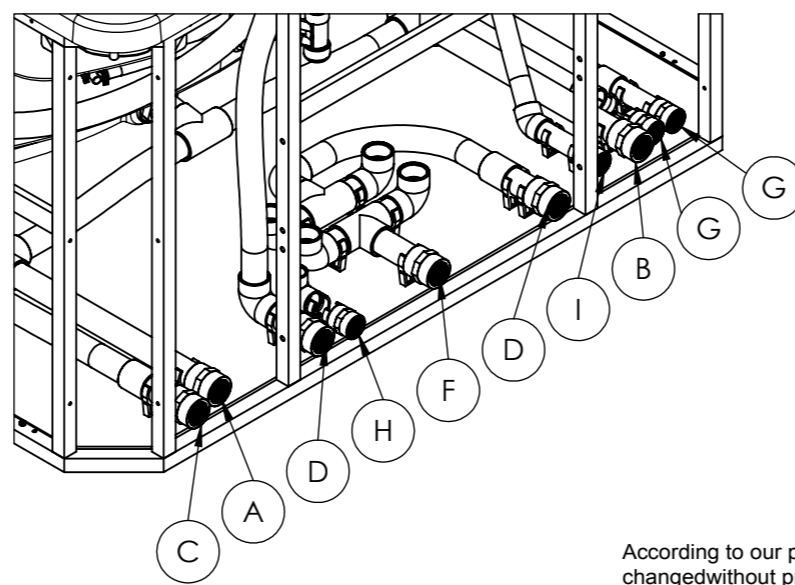
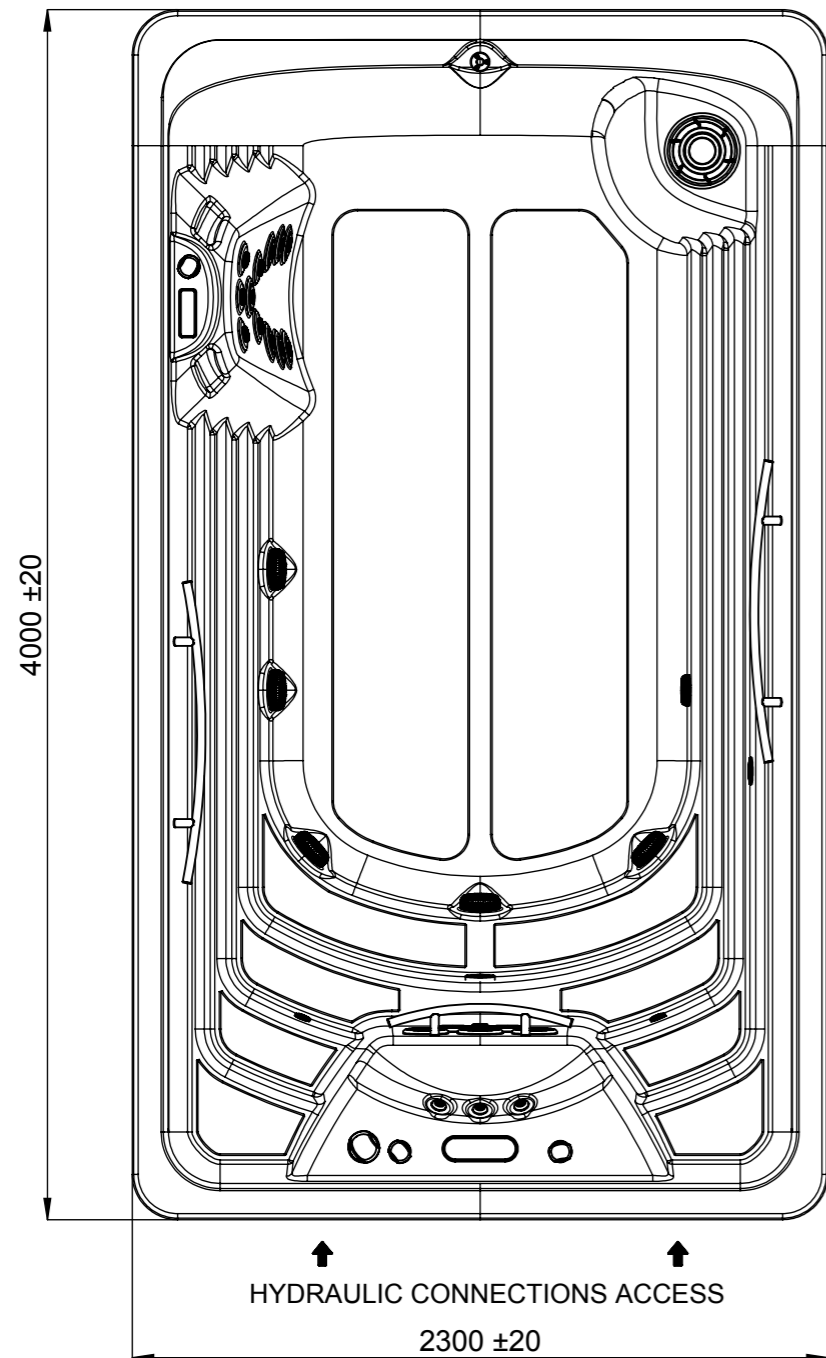
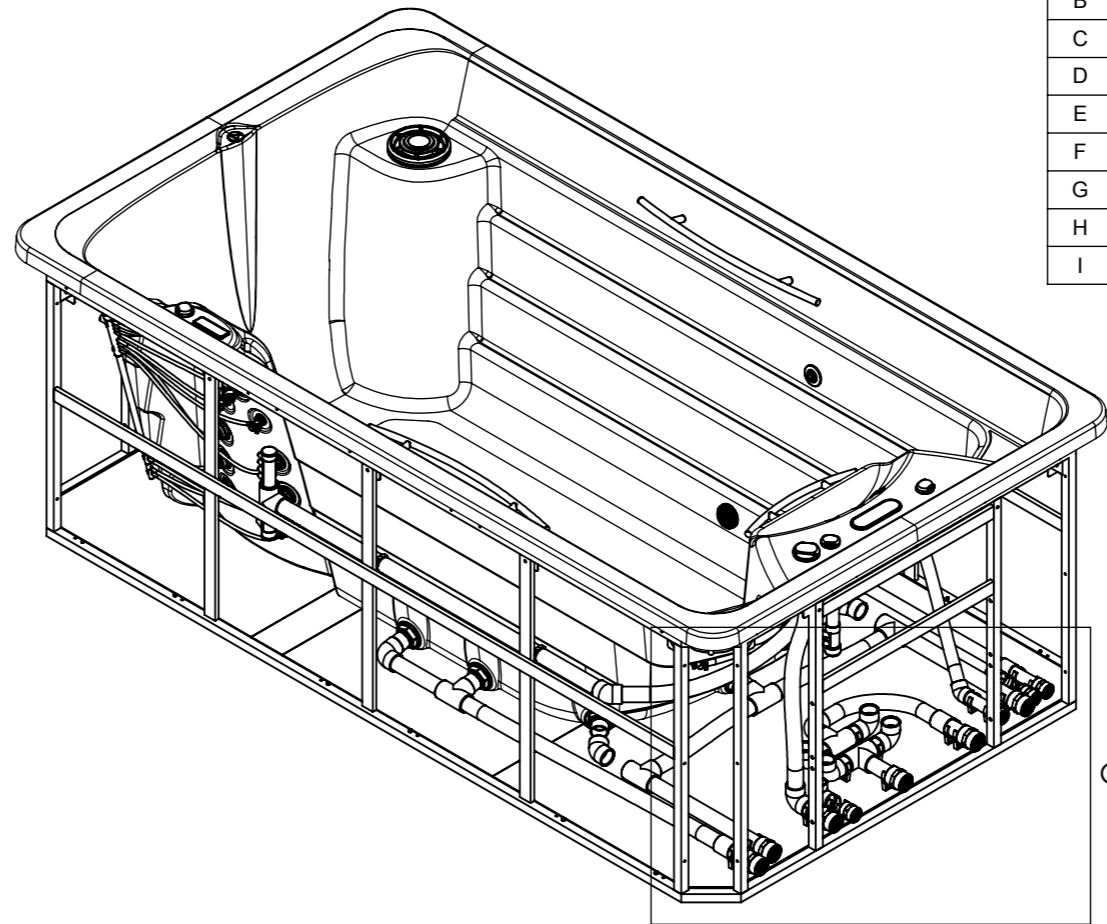
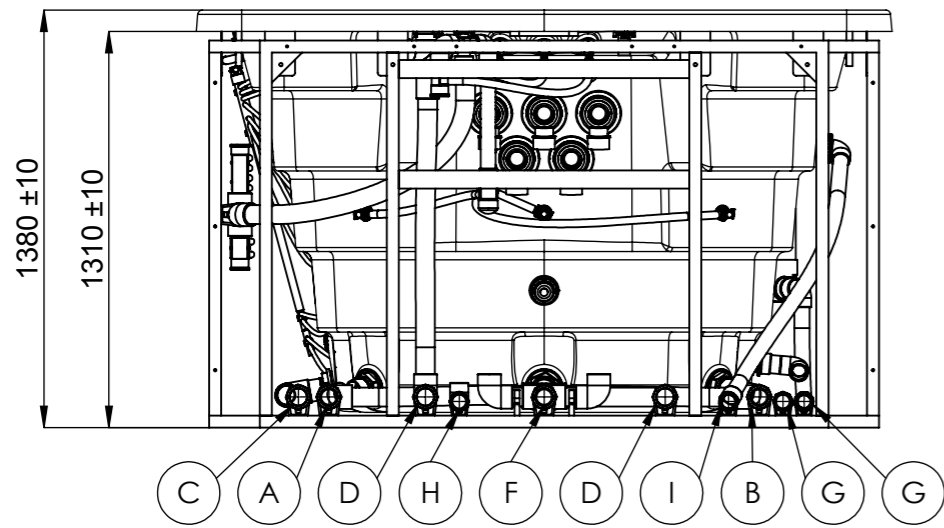
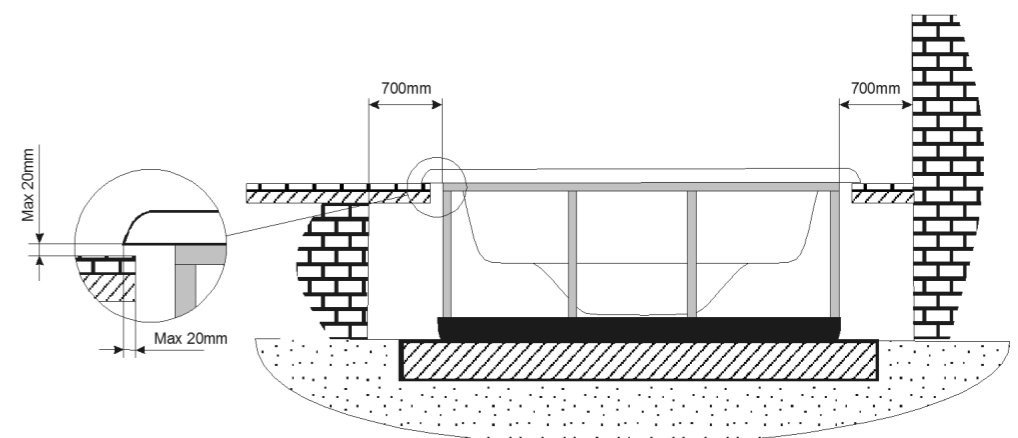


A	Suction-Water Massage Pump 1	Ø 63 FEMALE SOCKET
B	Suction-Water Massage Pump 2	Ø 63 FEMALE SOCKET
C	Suction-Water Massage Pump 3	Ø 63 FEMALE SOCKET
D	Return-Water Massage Pump 1	Ø 63 FEMALE SOCKET
E	Return-Water Massage Pump 2	Ø 63 FEMALE SOCKET
F	Return-Water Massage Pump 3	Ø 63 FEMALE SOCKET
G	Suction/Return-Filtration Pump Bottom Spa	Ø 50 FEMALE SOCKET
H	Return-Filtration Pump Inlets	Ø 50 FEMALE SOCKET
I	Filter pump suction vacuum cleaner	Ø 50 FEMALE SOCKET



WARNING:
It's essential to keep a minimum clearance access of **700mm** all around.



According to our policy of continuous improvement, dimensions, features or components of this product can be partially or completely changed without prior notice.
It's Customer responsibility to verify that this is the last version of the drawing

Change No.	Date	Name	Modification
03	09/01/2019	D.Castillo	Spa weight added.
02	09/11/2018	A.Miquel	Jets (CMP) changed
01	06/06/2018	A.Miquel	Updated positions
00	24/11/2017	A.Miquel	Creation

General specifications	
Spa weight (empty)	1.150 Kg
Spa weight (full)	7.150 Kg

Remarks Dimensions in mm. General Tolerances +/- 10mm			COMMERCIAL		
Drawn	24/11/2017	A.Miquel		Part Number	Rev.
Checked	24/11/2017	V.Saiz		69129-AV	03
Scale 1:25	General Tolerance DIN 7168 ISO 2768g				
Sheet 1/1	Property of IBERSPA S.L. Avda. Pla d'Urgell 2-8 25200 Cervera, Spain. Don't use without permission. Keep this information confidential and use it solely for the permitted purpose.				