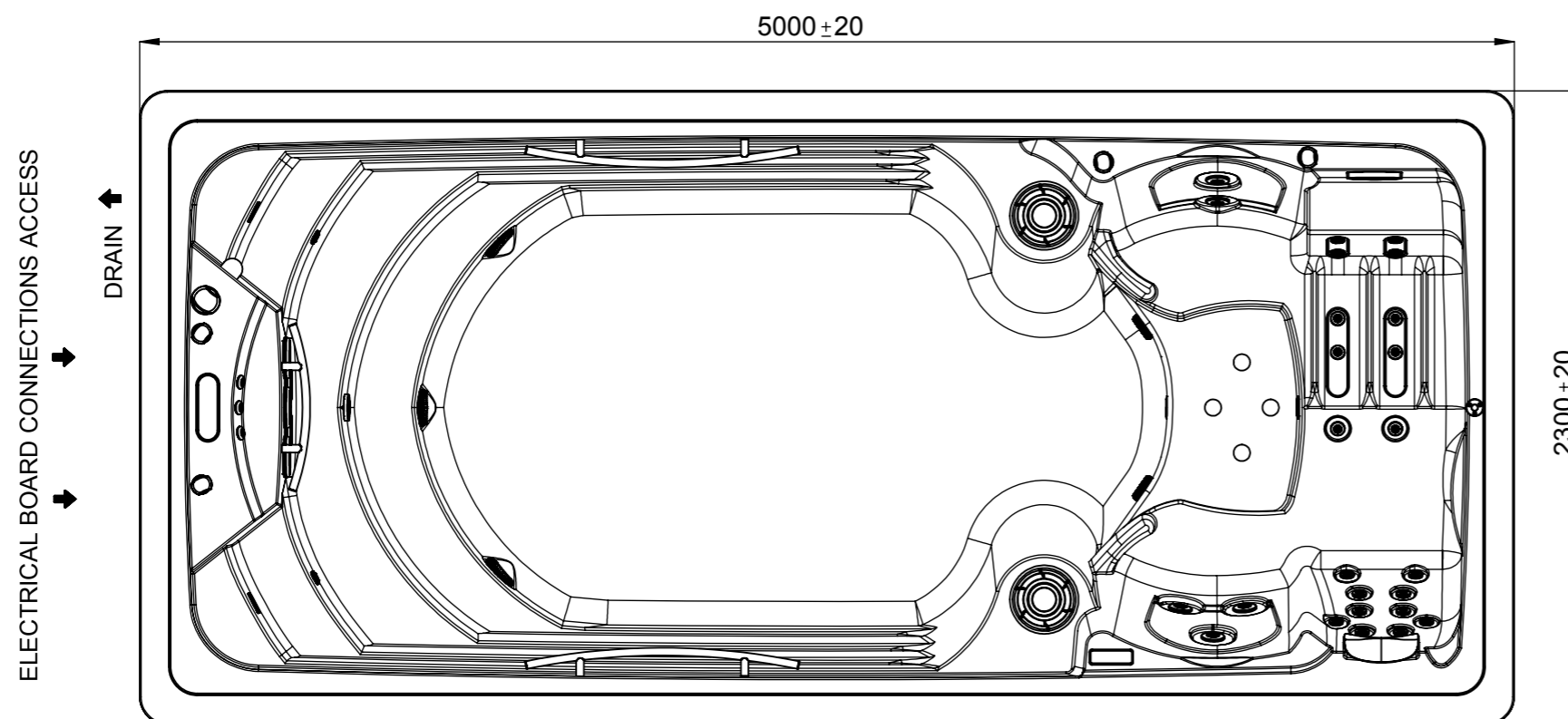
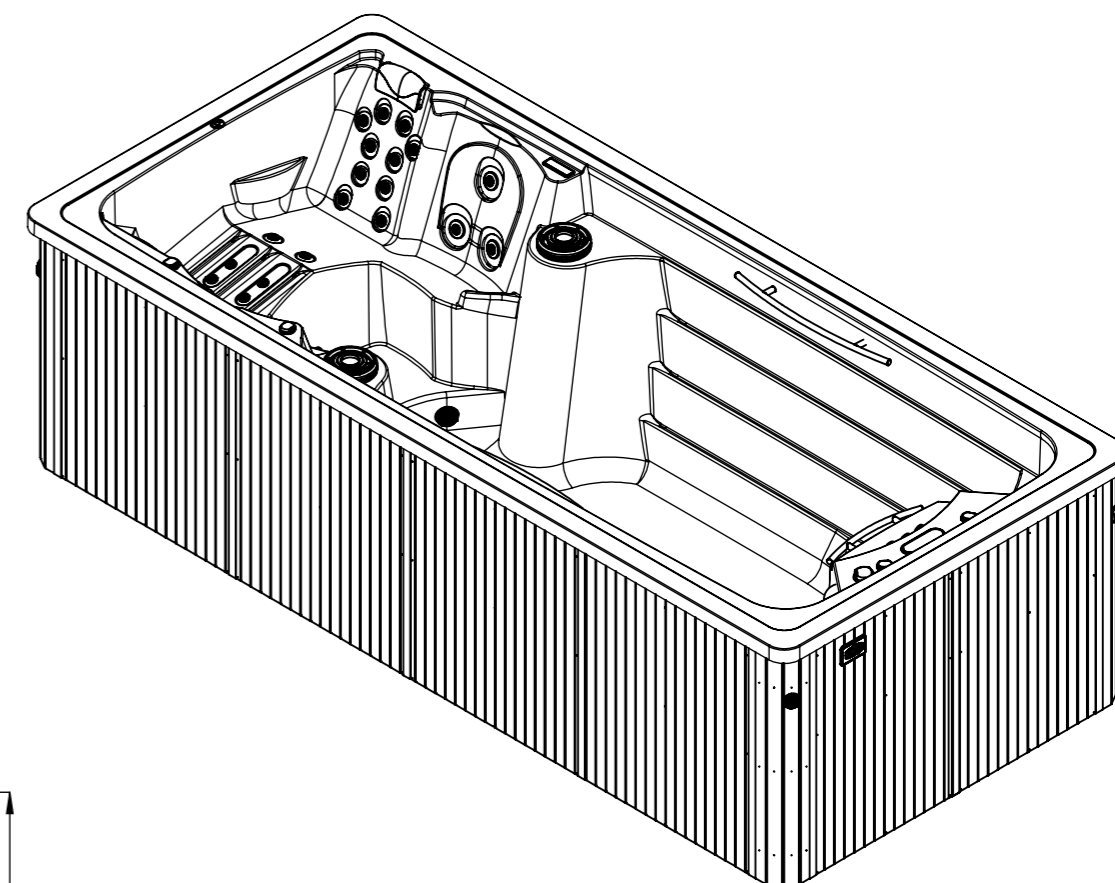
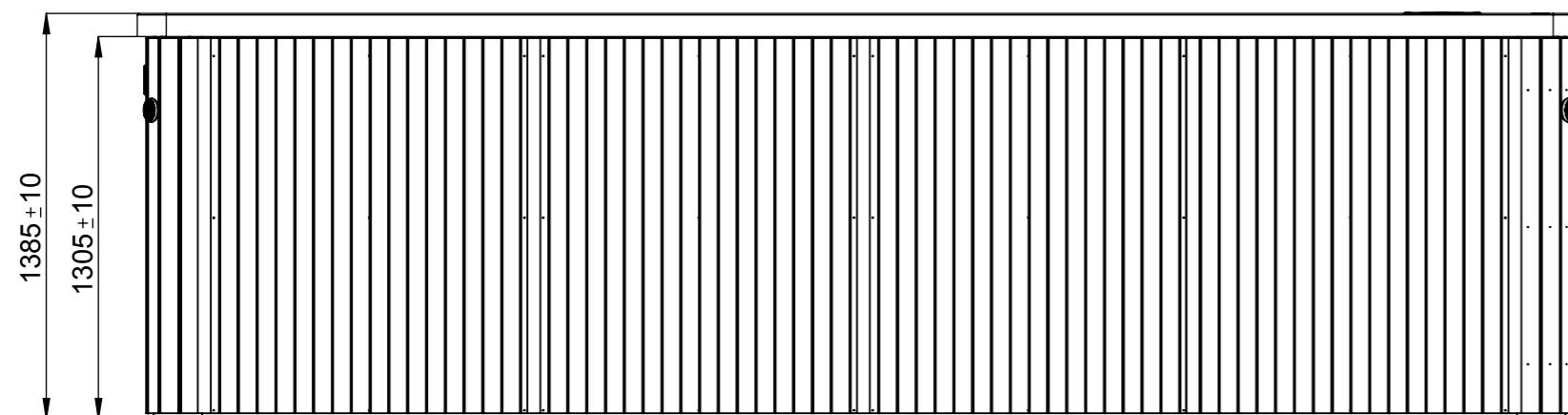
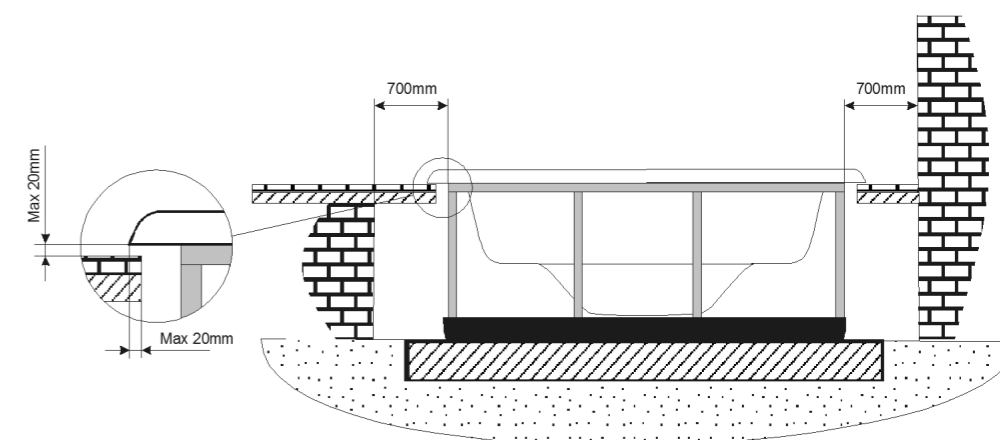


General specifications	
Spa weight (empty)	1.177 Kg
Spa weight (full)	9.677 Kg



**WARNING:**  
It's essential to keep a minimum clearance access of **700mm** all around.



According to our policy of continuous improvement, dimensions, features or components of this product can be partially or completely changed without prior notice.  
It's Customer responsibility to verify that this is the last version of the drawing

VALID FROM SERIAL NUMBER: **53732**  
VALIDO A PARTIR DEL NÚMERO DE SERIE: **53732**

04	03/12/2018	D.Castillo	Spa weight added.
04	03/12/2018	D.Castillo	Spa weight added.
03	25/10/2018	A.Miquel	Control panels and covers spare codes added.
02	29/06/2018	A.Miquel	Jets changed (CMP)
01	09/05/2017	O. Faura	Changing of electronic parts references.
Change No.	Date	Name	Modification

Remarks		COMMERCIAL	
Dimensions in mm. General Tolerances +/- 10mm			
Drawn	12/06/2015	I.Pozo	Part Number <b>64414</b>
Checked	12/06/2015	V.Saiz	
Scale 1:25	General Tolerance DIN 7168 ISO 2768g		Rev. <b>04</b>
Sheet 1/2			
		<b>IBERSPA</b>	First Angle Projection