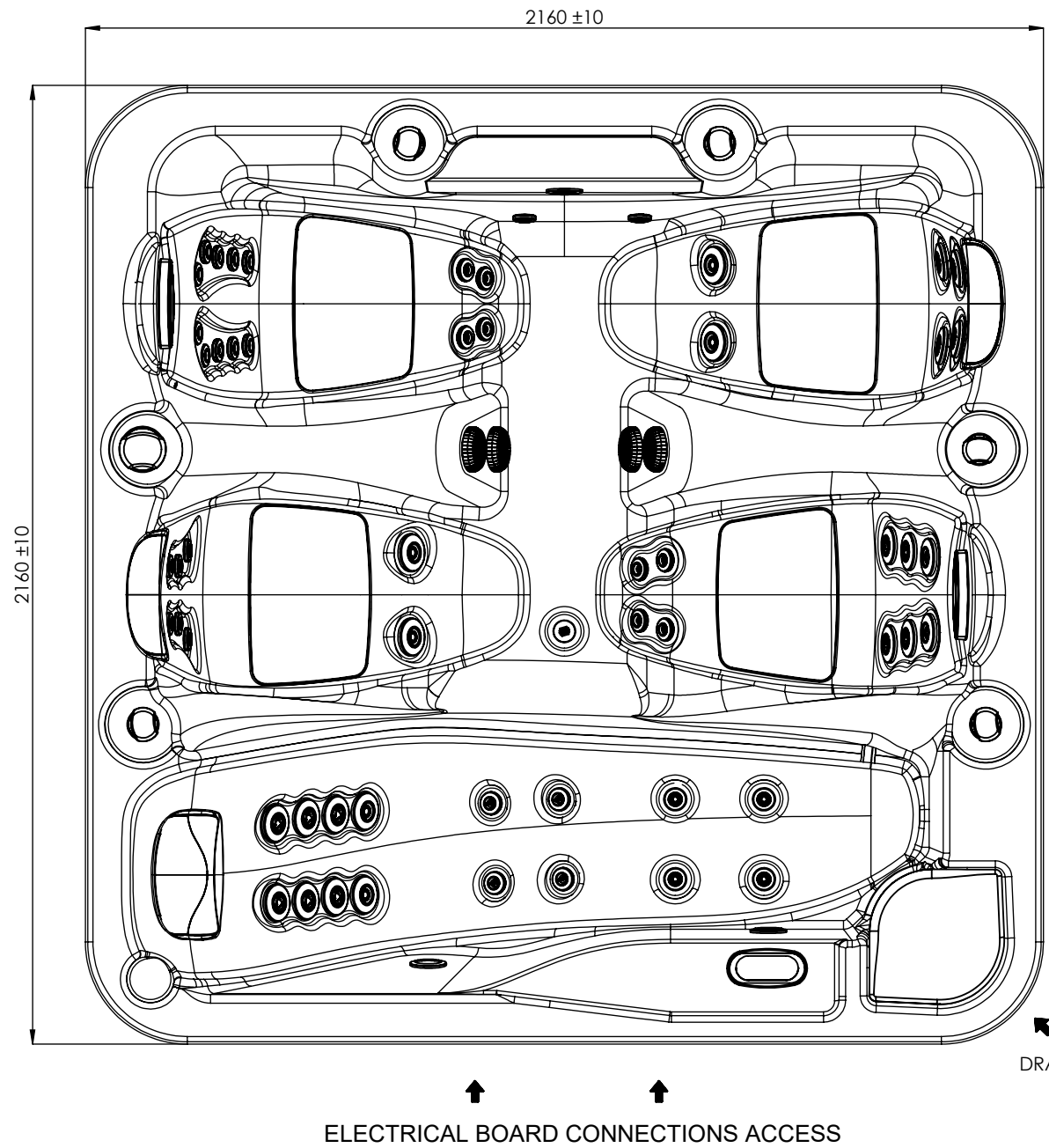
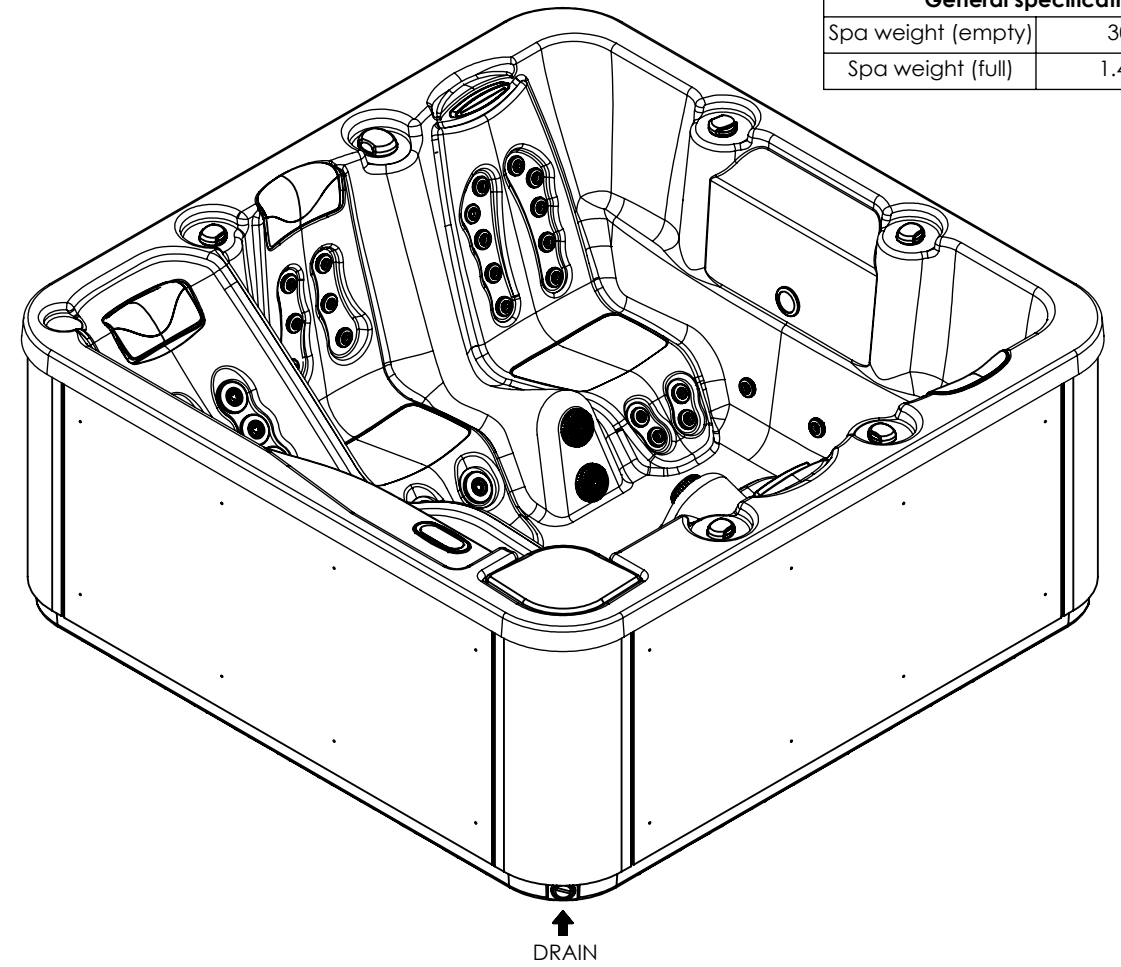
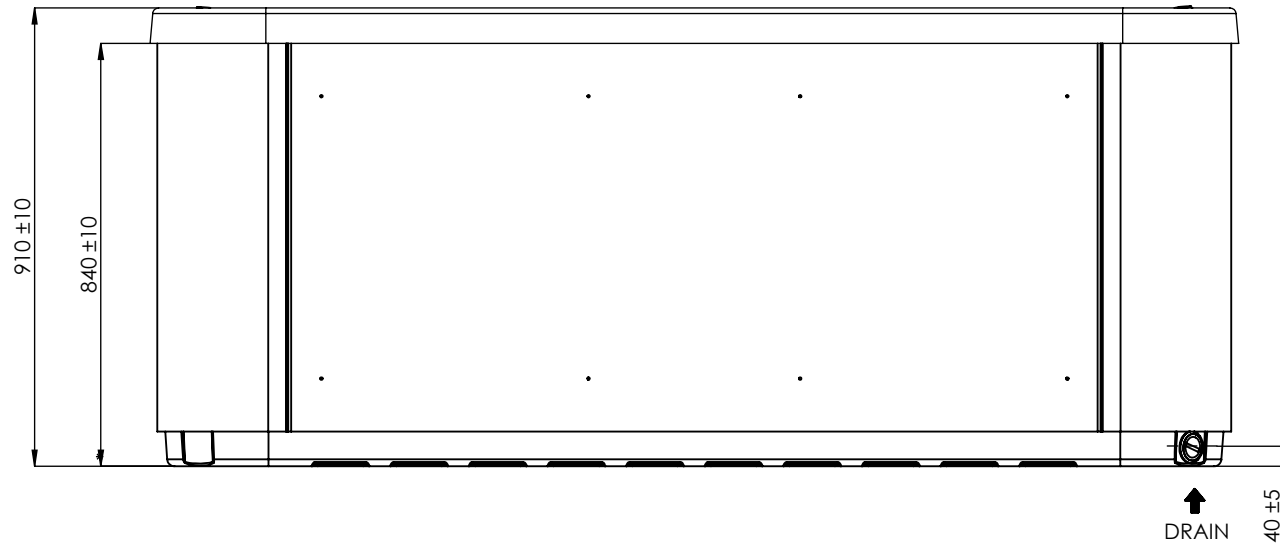


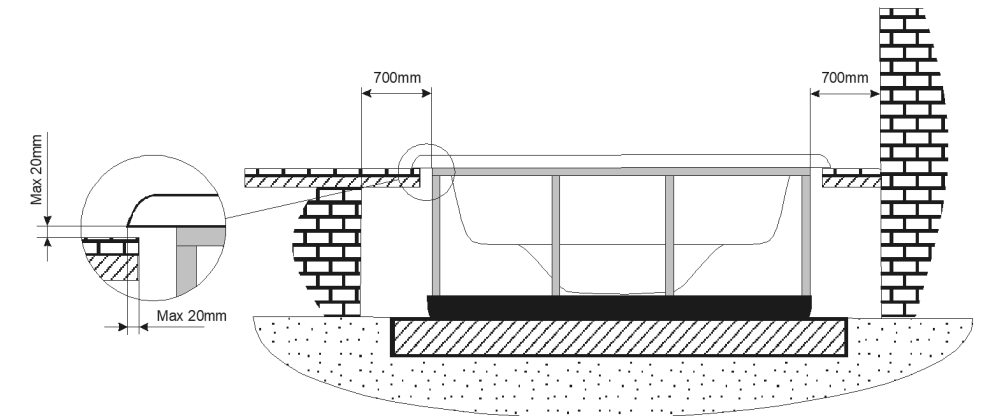
General specifications	
Spa weight (empty)	305 Kg
Spa weight (full)	1.485 Kg



Inground option

WARNING:

It's essential to keep a minimum clearance access of **700mm** all around.



According to our policy of continuous improvement, dimensions, features or components of this product can be partially or completely changed without prior notice. It's Customer responsibility to verify that this is the last version of the drawing

04	10/12/2018	D.Castillo	Spa weight added.
03	23/10/2018	A.Miquel	DSG waterfall changed.
02	28/06/2018	A.Miquel	Jets changed (CMP)
01	09/05/2017	O. Faura	Changing of electronic parts references.
05	28/01/2019	A.Miquel	SPA drain position changed.
Change No.	Date	Name	Modification

Remarks
Dimensions in mm. General Tolerances +/- 10mm

Drawn	14/01/2015	I.Pozo	IBERSPA	Part Number 62318	Rev. 05	First Angle Projection
Checked	14/01/2015	V.Saiz				
Scale 1:15	General Tolerance DIN 7168 ISO 2768g					
Sheet 1/2						